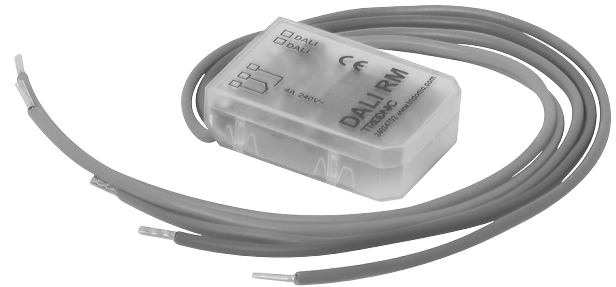
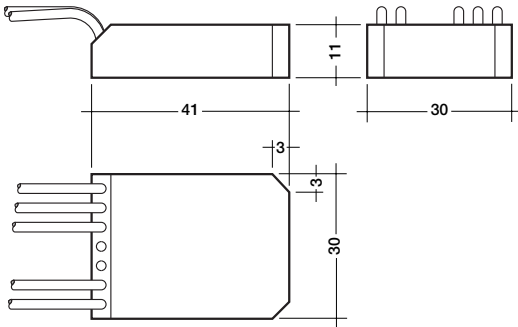


DALI RM



**Functional description:**

- Compact relay module for controlling a standard contactor via DALI.
- Loads that do not have a DALI input can therefore be integrated in the DALI circuit. The loads can be switched on and off via DALI.
- "configTOOL" software is available free of charge at [www.tridonicatco.com](http://www.tridonicatco.com) for programming the switch-on and switch-off points.  
 "MIN LEVEL": Sets switch off level  
 "MAX LEVEL": Sets switch on level

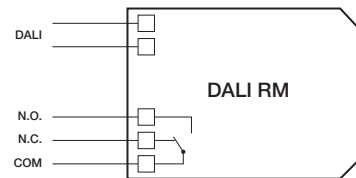
Factory preset:  
 "MIN LEVEL" = 0 → OFF  
 "MAX LEVEL" = 100 → ON

**Installation:**

- Loads must not be connected directly to the DALI RM. The load must always be switched via an external contactor.
- The maximum load that can be connected to the DALI RM is the load of a contactor coil.
- When selecting the correct contactor please check the inrush currents of the switched loads. Electronic ballasts may have very high inrush

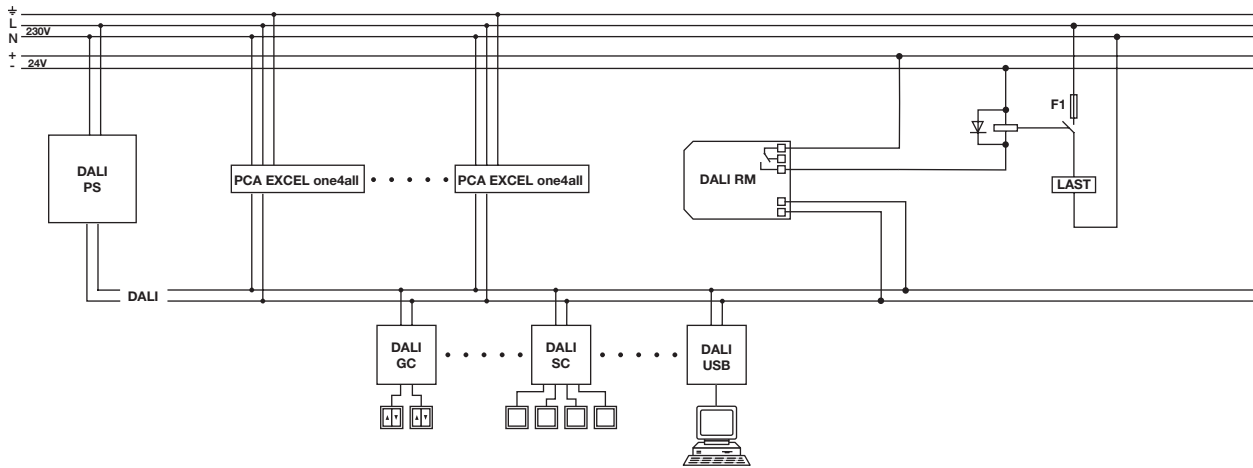
- currents. Check with the contactor manufacturer.
- If DC contactor coils are controlled they must be equipped with an appropriate free-wheeling diode.
- This is not a separate unit, it is intended for installation.
- DALI is not SELV. The installation instructions for low voltage therefore apply.

Type	DALI RM	
article number	24034702	
supply	via DALI signal line	
current	12 mA	
input	DALI signal	
addresses	1	
output	max. switching voltage AC	250 V
	max. switching voltage DC	35 V
	type of contact	1 changeover
	min. contact load	1.2 W
	mech. life, switching operations	10 x 10 <sup>6</sup>
	electrical life, switching operations (4 A, 250 VAC, resistive)	60 x 10 <sup>3</sup>
temperature	permitted ambient temperature	
	0°C – 50°C	



Circuit diagram

Switching of 12/24 VDC contactor coils



Switching of 230 VAC contactor coils

